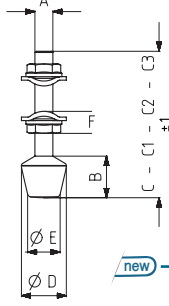


911

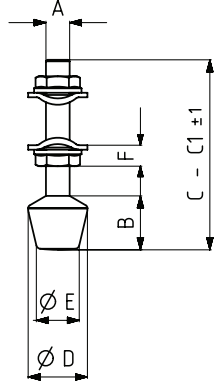
**Silikon Uç**  
Silicon Squeeze Part



KOD	MODEL NO	PASLANMAZ (STAINLESS)	SİYAH (BLACK)	SİYAH GALVANİZ (BLACK GALVANIZED)	AĞIRLIK (WEIGHT) (gr ±%)	A CIVATA DIN 933 (SCREW DIN 933)	B	C	C1	C2	C3	D	E	F
150-181	911-0	S 911 - ...	B 911 - ...	BG 911 - ...	7	M 4 x 25	7	31				10	8	6
150-547	911-0-C1	S 911 - ...	B 911 - ...	-	8	M 4 x 60	7		65,5			10	8	6
150-99	911-1	S 911 - ...	B 911 - ...	BG 911 - ...	12	M 5 x 35	10,5	43,5				12,5	9	7
150-545	911-1-C1	S 911 - ...	B 911 - ...	-	14	M 5 x 60	10,5		68,5			12,5	9	7
150-86	911-2	S 911 - ...	B 911 - ...	BG 911 - ...	23	M 6 x 40	14,5	50,5				16	10,5	8
150-245	911-2-C1	S 911 - ...	B 911 - ...	-	34	M 6 x 100	14,5		110,5			16	10,5	8
150-246	911-2-C2	S 911 - ...	B 911 - ...	-	41	M 6 x 120	14,5			130,5		16	10,5	8
150-546	911-2-C3	S 911 - ...	B 911 - ...	-	28	M 6 x 60	14,5				70,5	16	10,5	8
150-87	911-3	S 911 - ...	B 911 - ...	BG 911 - ...	46	M 8 x 50	18	63,5				20	14	10
150-247	911-3-C1	S 911 - ...	B 911 - ...	-	55	M 8 x 70	18		83,5			20	14	10
150-283	911-3-C2	S 911 - ...	B 911 - ...	-	75	M 8 x 130	18			143		20	14	10
150-641	911-3-C3	S 911 - ...	B 911 - ...	-	22	M 8 x 35	18				48,5	20	14	10
150-88	911-4	-	B 911 - ...	BG 911 - ...	97	M 10 x 70	23,5	87				26,5	17	13
150-217	911-4-C1	-	B 911 - ...	-	116	M 10 x 110	23,5		125			26,5	17	13
150-737	911-4-C2	-	B 911 - ...	-	82	M 10 x 40	23,5			56,5		26,5	17	13
150-116	911-5	-	B 911 - ...	BG 911 - ...	156	M 12 x 80	27,25	100				30	21	15
150-354	911-5-C1	-	B 911 - ...	-	174	M 12 x 110	27,25		130			30	21	15

BG911 NR

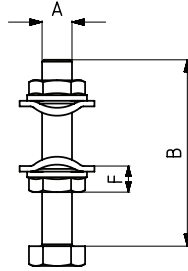
**Doğal Kauçuk Uç**  
Natural Rubber Squeeze Part



KOD	MODEL NO	AĞIRLIK (WEIGHT) (gr ±%)	A CIVATA DIN 933 (SCREW DIN 933)	B	C	D	E	F
BG150-181-NR	BG911-0-NR	7	M 4 x 25	7	31	10	8	6
BG150-99-NR	BG911-1-NR	12	M 5 x 35	10,5	43,5	12,5	9	7
BG150-86-NR	BG911-2-NR	23	M 6 x 40	14,5	50,5	16	10,5	8
BG150-546-NR	BG911-2-C3-NR	28	M 6 x 60	14,5	70,5	16	10,5	8
BG150-87-NR	BG911-3-NR	46	M 8 x 50	18	63,5	20	14	10
BG150-88-NR	BG911-4-NR	97	M 10 x 70	23,5	87	26,5	17	13
BG150-116-NR	BG911-5-NR	156	M 12 x 80	27,25	100	30	21	15

M911

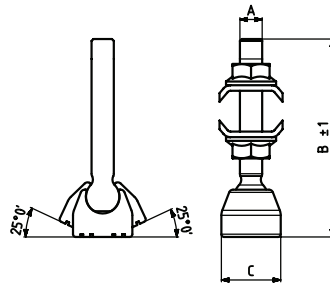
**Metal Civata Uç**  
Metal Screw Part



KOD	MODEL NO	PASLANMAZ (STAINLESS)	SİYAH (BLACK)	AĞIRLIK (WEIGHT) (gr ±%)	A CIVATA DIN 933 (SCREW DIN 933)	B	F
150-181-324-00	M911-0	S M911 - ...	B M911 - ...	7	M 4 X 25	25	6
150-99-263-00	M911-1	S M911 - ...	B M911 - ...	12	M 5 X 35	35	7
150-86-264-00	M911-2	S M911 - ...	B M911 - ...	23	M 6 X 40	40	8
150-87-265-00	M911-3	S M911 - ...	B M911 - ...	42	M 8 X 50	50	10
150-88-266-00	M911-4	-	B M911 - ...	89	M 10 X 70	70	13
150-116-328-00	M911-5	-	B M911 - ...	145	M 12 X 80	80	15

912

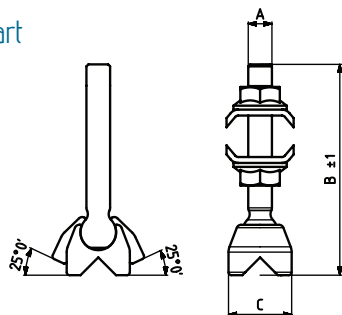
**Metal Mafsal Uç**  
Swivel Metal Squeeze Part  
PATENT NO: 20100115



MODEL NO	AÇI (ANGLE)	AĞIRLIK (WEIGHT) (gr ±%)	A	B	C
912-2	25°	36	M6	53,5	Ø15
912-3	25°	70	M8	63,5	Ø20
912-4	25°	149	M10	90	Ø26
912-5	25°	223	M12	103	Ø30

913

**Metal V Mafsal Uç**  
V Grooved Swivel Metal Squeeze Part  
PATENT NO: 20100115



MODEL NO	AÇI (ANGLE)	AĞIRLIK (WEIGHT) (gr ±%)	A	B	C
913-2	25°	32	M6	53,5	Ø15
913-3	25°	66	M8	63,5	Ø20
913-4	25°	142	M10	90	Ø26
913-5	25°	212	M12	103	Ø30