

241-S



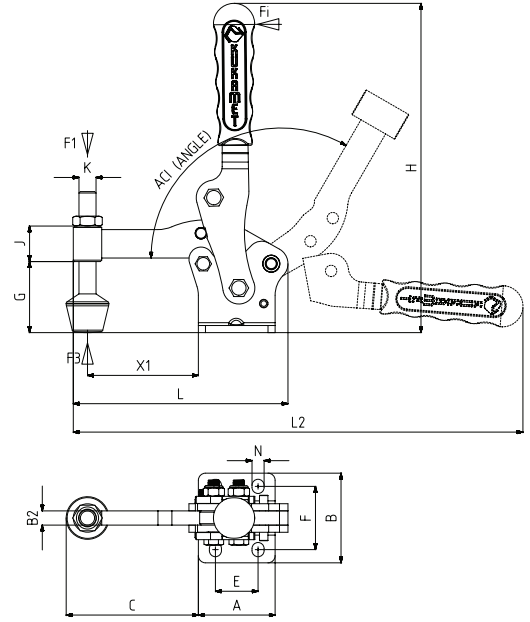
new

| MODEL NO | F1 (N) | F3 (N) | Fi | AÇI (ANGLE) (± 5°) | AĞIRLIK (WEIGHT) (gr ±%) |
|-------------|-----------|-----------|--------------------------|--------------------------|--------------------------------|
| | | | VERİM (YIELD) (F1) | | |
| 241 - 3 - S | 1000 | 3500 | 5:1 | 120° | 735 |
| 241 - 4 - S | 1500 | 5000 | 5:1 | 120° | 1300 |
| 241 - 6 - S | 2000 | 6000 | 5:1 | 120° | 1995 |

F1-F2-F3 : BASKI KUVVETİ (EXERTING FORCE) , F4-F5-F6 : TUTMA KAPASİTESİ (HOLDING CAPACITY) , Fi : UYGULAMA KUVVETİ (APPLIED FORCE)

Ayak Tipi: Yatay Tabanlı - Sac Kol

Body Mounting Base: Horizontal Base - Sheet Arm



241 Sayfa/Page: 35 221 Sayfa/Page: 26 911 Sayfa/Page: 128

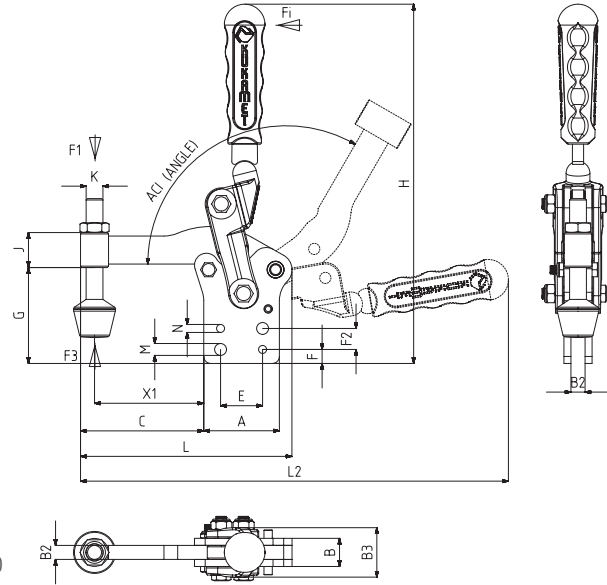
| MODEL NO | A | B | B2 | C | D | E | F | G | H | J | K | L | L2 | M | N | X1 |
|-------------|------|----|----|------|---|----|------|----|-------|----|-----|-----|-------|---|-------------|------|
| 241 - 3 - S | 43,5 | 51 | 8 | 76,5 | - | 23 | 33 | 39 | 204,5 | 22 | M10 | 123 | 274,5 | - | Ø9 | 63 |
| 241 - 4 - S | 54 | 63 | 10 | 88 | - | 30 | 44,5 | 49 | 232 | 27 | M12 | 151 | 316,5 | - | 8,5 x 10 | 78 |
| 241 - 6 - S | 70 | 74 | 12 | 111 | - | 45 | 52 | 68 | 266,5 | 32 | M12 | 191 | 376 | - | 10,5 x 11,5 | 98,5 |

242



| MODEL NO | F1 (N) | F3 (N) | Fi | AÇI (ANGLE) (± 5°) | AĞIRLIK (WEIGHT) (gr ±%) |
|----------|-----------|-----------|--------------------------|--------------------------|--------------------------------|
| | | | VERİM (YIELD) (F1) | | |
| 242 - 2 | 750 | 2500 | 5:1 | 120° | 325 |
| 242 - 3 | 1000 | 3500 | 5:1 | 120° | 756 |
| 242 - 4 | 1500 | 5000 | 5:1 | 120° | 1340 |
| 242 - 6 | 2000 | 6000 | 5:1 | 120° | 2340 |

F1 : BASKI KUVVETİ (EXERTING FORCE) , F3 : TUTMA KAPASİTESİ (HOLDING CAPACITY) , Fi : UYGULAMA KUVVETİ (APPLIED FORCE)



Ayak Tipi: Dikey Tabanlı

Body Mounting Base: Vertical

242-L Sayfa/Page: 38 241 Sayfa/Page: 35 212-D Sayfa/Page: 20

| MODEL NO | A | B | B2 | B3 | C | E | F | F2 | G | H | J | K | L | L2 | M | N | X1 |
|----------|------|----|----|------|------|----|----|----|------|-----|----|-----|-----|-----|--------|-------|------|
| 242 - 2 | 36 | 12 | 6 | 23 | 50,5 | 20 | 8 | - | 44,5 | 159 | 15 | M6 | 89 | 192 | Ø 6,5 | | 44,5 |
| 242 - 3 | 43,5 | 16 | 8 | 30,5 | 72,5 | 23 | 9 | - | 54 | 225 | 22 | M8 | 123 | 280 | Ø9 | | 63 |
| 242 - 4 | 54 | 20 | 10 | 36 | 88 | 30 | 10 | 15 | 67,5 | 257 | 27 | M12 | 151 | 323 | Ø 8,5 | Ø 5,7 | 78 |
| 242 - 6 | 70 | 22 | 12 | 46 | 111 | 45 | 15 | 20 | 91 | 303 | 32 | M12 | 191 | 390 | Ø 10,5 | Ø 7,7 | 98,5 |