

224-K



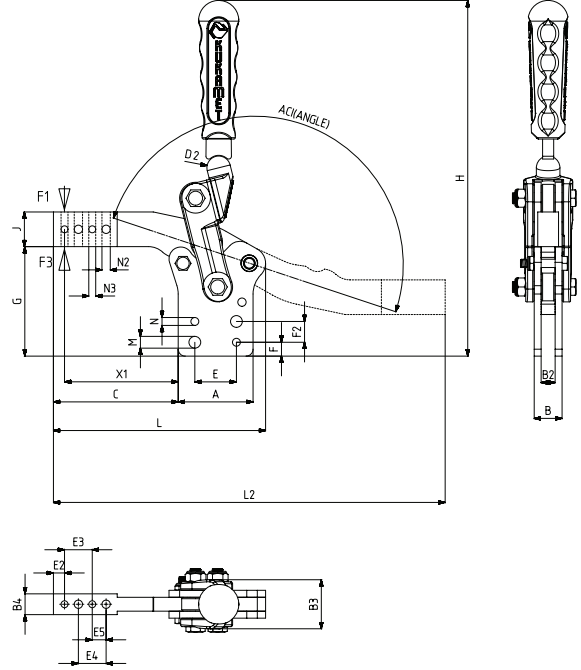
new

**Ayak Tipi: Dikey Sabit Tabanlı - Kollu**

Body Mounting Base: With Vertical And Fixed Base - With Arm

MODEL NO	F1 (N)	F3 (N)	Fi	AÇI (ANGLE) (± 5 °)	AĞIRLIK (WEIGHT) (gr ±%2)
			VERİM (YIELD) (F1)		
224 - 4 - K	1500	5000	5:1	180°	1285
224 - 6 - K	2500	6500	5:1	180°	2300

F1 : BASKI KUVVETİ ( EXERTING FORCE ) , F3 : TUTMA KAPASİTESİ ( HOLDING CAPACITY ) Fi : UYGULAMA KUVVETİ ( APPLIED FORCE )



224

Sayfa/Page: 31



241

Sayfa/Page: 35



242

Sayfa/Page: 37



MODEL NO	A	B	B2	B3	B4	C	D2	E	E2	E3	E4	E5	F	F2	G	H	J	L	L2	M	N	N2	N3	X1
224 - 4 - K	54	20	10	36	15	90	Ø 17	30	8	20	20	10	10	15	79	257	25	153	283	Ø 8,5	Ø 5,7	Ø 6	Ø 6	82
224 - 6 - K	70	22	12	46	20	106,5	Ø 22	45	8	30	30	15	15	20	106,5	303	31	187	346	Ø 10,5	Ø 7,7	Ø 8	Ø 6	98,5

224-L

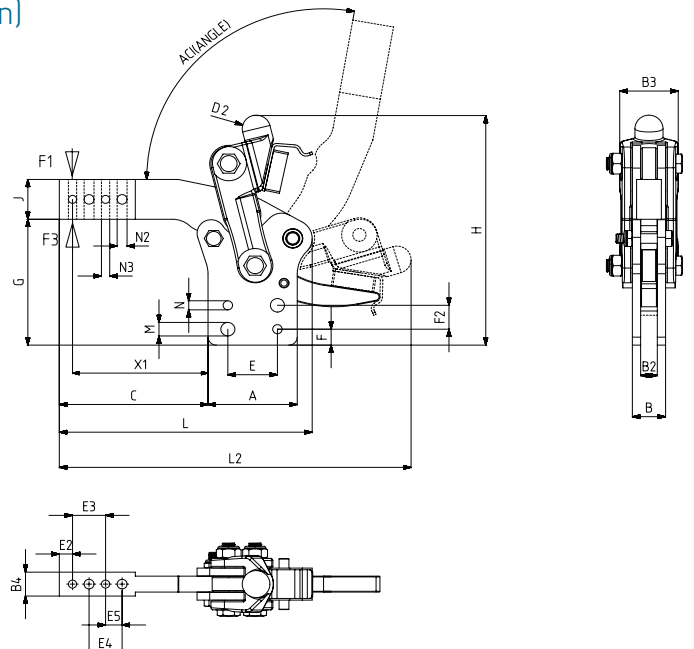


**Ayak Tipi: Dikey Sabit Tabanlı (Açıkken Kilitli)**

Body Mounting Base: Vertical and Fixed (Locked when open)

MODEL NO	F1 (N)	F3 (N)	Fi	AÇI (ANGLE) (± 5 °)	AĞIRLIK (WEIGHT) (gr ±%2)
			VERİM (YIELD) (F1)		
224 - 4 - L	1500	5000	5:1	100°	1250
224 - 6 - L	2500	6500	5:1	100°	2300

F1 : BASKI KUVVETİ ( EXERTING FORCE ) , F3 : TUTMA KAPASİTESİ ( HOLDING CAPACITY ) Fi : UYGULAMA KUVVETİ ( APPLIED FORCE )



221

Sayfa/Page: 26



241

Sayfa/Page: 35



224

Sayfa/Page: 31



MODEL NO	A	B	B2	B3	B4	C	D2	E	E2	E3	E4	E5	F	F2	G	H	J	L	L2	M	N	N2	N3	X1
224 - 4 - L	54	20	10	36	15	90	Ø 17	30	8	20	20	10	10	15	79	144,5	25	153	283	Ø 8,5	Ø 5,7	Ø 6	Ø 6	82
224 - 6 - L	70	22	12	46	20	106,5	Ø 22	45	8	30	30	15	15	20	106,5	182	31	187	346	Ø 10,5	Ø 7,7	Ø 8	Ø 6	98,5