

223



**Ayak Tipi: Dikey Sabit Tabanlı**  
Body Mounting Base: Vertical and Fixed



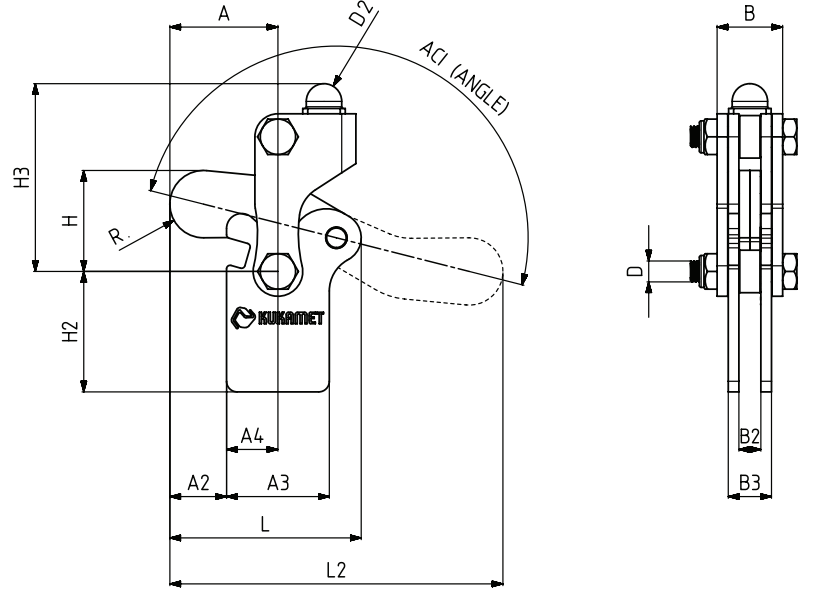
223  
Sayfa/Page: 34



921-M  
Sayfa/Page: 130

MODEL NO	F1 (N)	Fi	AÇI (ANGLE) (± 5 °)	AĞIRLIK (WEIGHT) (gr ±%2)
		VERİM (YIELD) (F1)		
223-2	2500	5:1	180°	220

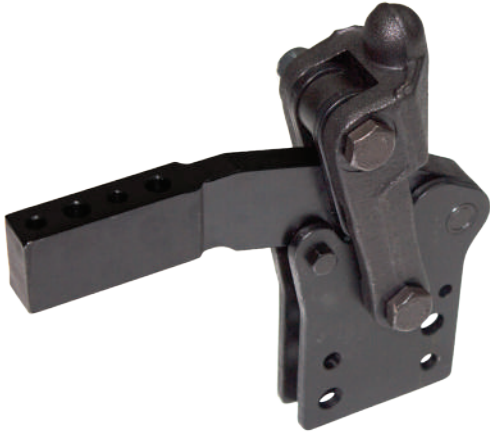
F1 : BASKI KUVVETİ ( EXERTING FORCE ) , Fi : UYGULAMA KUVVETİ ( APPLIED FORCE )



MODEL NO : 223-2 KOL KAYNAKLI SAC / Welded steel arm

MODEL NO	A	A2	A3	A4	B	B2	B3	D	D2	H	H2	H3	L	L2	R
223-2	30,5	16	29	14,5	18,5	6	12	M6	Ø10	28,5	34	53	54	94	9,5

224



**Ayak Tipi: Dikey Sabit Tabanlı**  
Body Mounting Base: Vertical and Fixed



222  
Sayfa/Page: 28



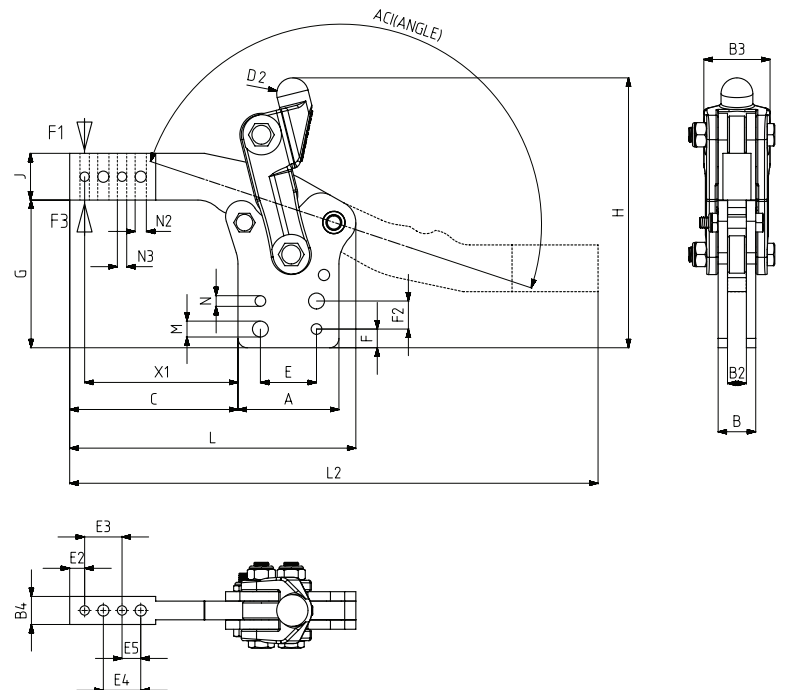
242  
Sayfa/Page: 37



931  
Sayfa/Page: 130

MODEL NO	F1 (N)	F3 (N)	Fi	AÇI (ANGLE) (± 5 °)	AĞIRLIK (WEIGHT) (gr ±%2)
			VERİM (YIELD) (F1)		
224-4	1500	5000	5:1	180°	1120
224-6	2500	6500	5:1	180°	2100

F1 : BASKI KUVVETİ ( EXERTING FORCE ) , F3 : TUTMA KAPASİTESİ ( HOLDING CAPACITY ) Fi : UYGULAMA KUVVETİ ( APPLIED FORCE )



MODEL NO	A	B	B2	B3	B4	C	D2	E	E2	E3	E4	E5	F	F2	G	H	J	L	L2	M	N	N2	N3	X1
224-4	54	20	10	36	15	90	Ø17	30	8	20	20	10	10	15	79	144,5	25	153	283	Ø 8.5	Ø 5.7	Ø 6	Ø 6	82
224-6	70	22	12	46	20	106,5	Ø22	45	8	30	30	15	15	20	106,5	182	31	187	346	Ø 10.5	Ø 7.7	Ø 8	Ø 6	98.5