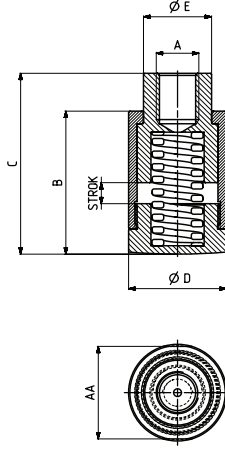


918

Çaylı Metal Uç
Metal Squeeze
Part With Spring

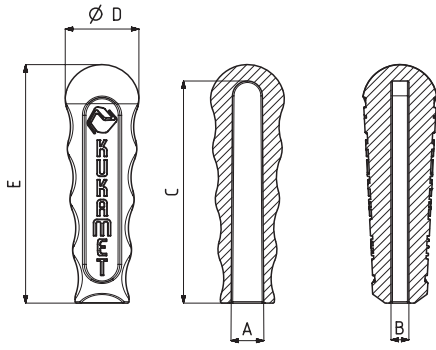


MODEL NO	F1 (N)	STROK	AĞIRLIK (WEIGHT) (gr ±%2)	A	AA	B	C MİN.	C MAX.	ØD	ØE
918 - 3	200	5	96	M8	22	34	38	43	23	16
918 - 4	250	5	93	M10	22	34	38	43	23	16
918 - 5	300	5	91	M12	22	34	38	43	23	16

921

Poliüretan Sap
Polyurethane Handle

Cadmium Çok
No Cadmium

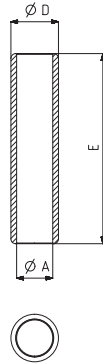


MODEL NO	SİYAH (BLACK)	AĞIRLIK (WEIGHT) (gr ±%2)	A	B	C	D	E
921 - 0	B 921 -	1	6,5	3	26,5	10,5	29
921 - 1	B 921 -	8	11	4	54	17,5	58
921 - 2	B 921 -	15	11	5	54	23	60
921 - 3	B 921 -	27	11	6	74	25	80
921 - 4	B 921 -	49	18	6	94	29	100
921 - 4	B 921 -	49	18	8	94	29	100
921 - 4	B 921 -	49	18	10	94	29	100



921-M

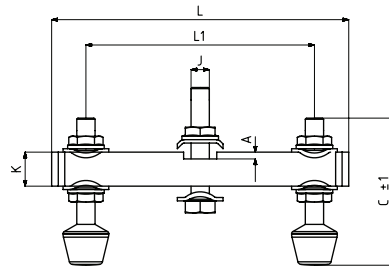
Metal Sap
Metal Handle



KOD	MODEL NO	AĞIRLIK (WEIGHT) (gr ±%2)	A	D	E
921-1-2-M	110-210-310-330-410-510-710-810 - 1 - 2	44	12	16	60
921-1-2-M-C1	222-232-820 - 2	54	12	16	110
921-3-M	110-210-310-330-410-510-710-810 - 3	57	12	18	80
921-3-M-C1	110-210-310-330-410-510-710-810 - 3	90	12	18	130
921-4-M	110-210-310-330-410-4 / 110-210-310-5	164	19	25	100
921-4-M-C1	110-210-310-330-410-4 / 110-210-310-5	241	19	25	150

931

Çapraz Baskı Grubu
Squeeze Part With Double Point



MODEL NO	SİYAH (BLACK)	AĞIRLIK (WEIGHT) (gr ±%2)	A	C	L	L1	J CIVATA DIN 933 (SCREW DIN 933)*	K
931 - 1	B 931 -	60	2,5	43,5	90	30 - 70	M5 x 30	10
931 - 2	B 931 -	142	2,5	50,5	110	30 - 80	M6 x 40	16
931 - 3	B 931 -	289	3	63,5	130	40 - 100	M8 x 45	20
931 - 4	B 931 -	463	4	87	160	50 - 120	M10 x 60	20
931 - 5	B 931 -	774	5	100	180	60 - 140	M12 x 70	25