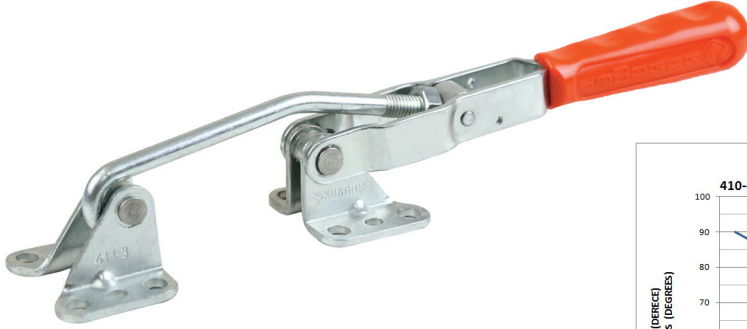


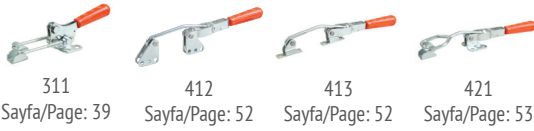


| MODEL NO | PASLANMAZ (STAINLESS) | SİYAH (BLACK) | F1 (N) | F3 (N) | STROK (DİŞ BOYU) (STROKE) (thread length) | AĞIRLIK (WEIGHT) (gr ±%) |
|----------|-----------------------|---------------|--------|--------|---|--------------------------|
| 411 - 2 | S 411 - | B 411 - | 1500 | 1800 | 50 | 210 |
| 411 - 3 | S 411 - | B 411 - | 2000 | 2500 | 41 | 325 |
| 411 - 4 | - | B 411 - | 3500 | 4000 | 55 | 860 |

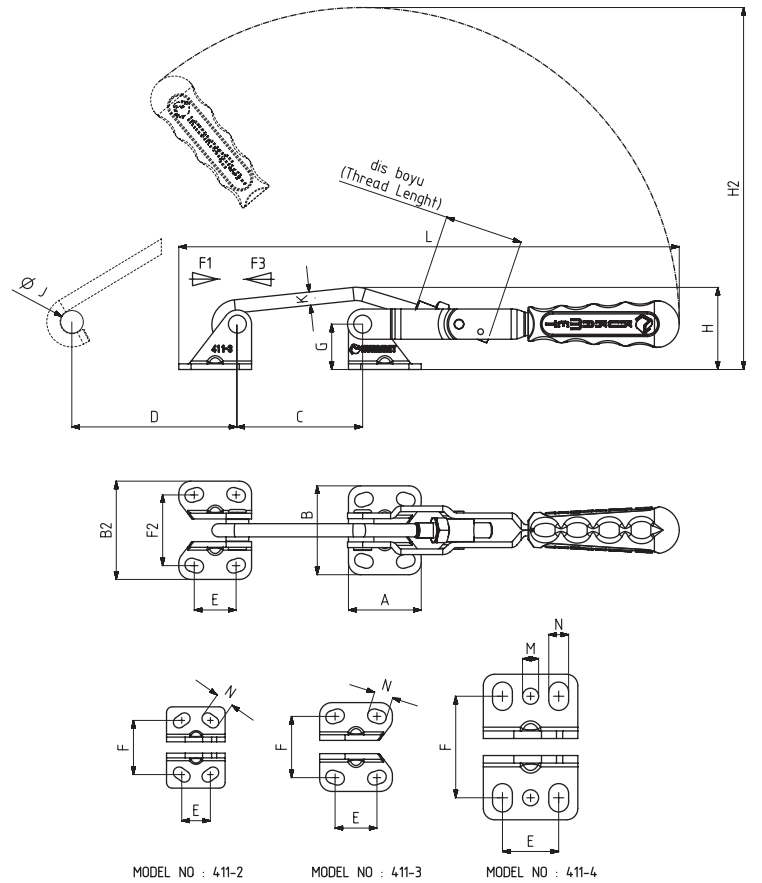
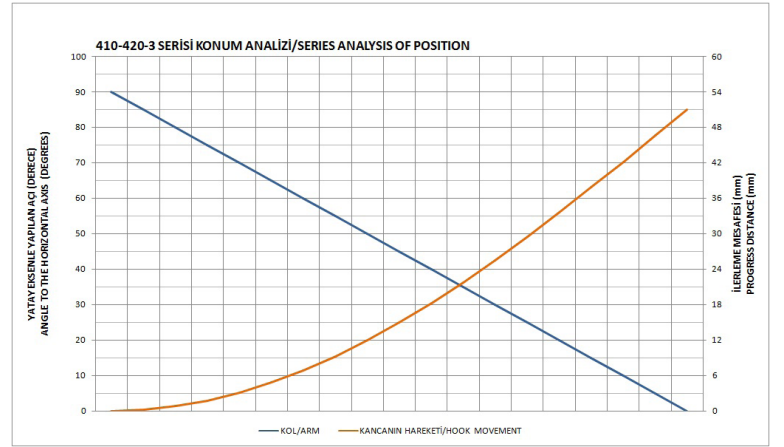
F1 : BASKI KUVVETİ (EXERTING FORCE), F3 : TUTMA KAPASİTESİ (HOLDING CAPACITY)
Paslanmaz C Kancalı ürünlerin çekme kuvvetleri %30 daha azdır. (Stainless stell latch clamps tensile strength are %30 more less)



Ayak Tipi: Yatay Tabanlı
Body Mounting Base: Horizontal



311 Sayfa/Page: 59 412 Sayfa/Page: 52 413 Sayfa/Page: 52 421 Sayfa/Page: 53



| MODEL NO | A | B | B2 | C min. | C max. | D | E | F | F2 | G | H | H2 | J | K | L min. | L max. | M | N |
|----------|------|----|----|--------|--------|-----|----|------|------|----|----|-----|----|-----|--------|--------|-------|---------|
| 411 - 2 | 31 | 43 | 47 | 45 | 68 | 50 | 15 | 28,5 | 32,5 | 26 | 38 | 155 | 9 | M6 | 200 | 220 | - | 6x9,5 |
| 411 - 3 | 38,5 | 47 | 52 | 60 | 75 | 80 | 22 | 32,5 | 37,5 | 24 | 42 | 190 | 12 | M 8 | 255 | 270 | - | 7x10 |
| 411 - 4 | 50 | 77 | 84 | 75 | 100 | 130 | 30 | 53,5 | 60,5 | 40 | 61 | 253 | 16 | M10 | 335 | 360 | Ø 8,5 | 10,5x15 |