

332

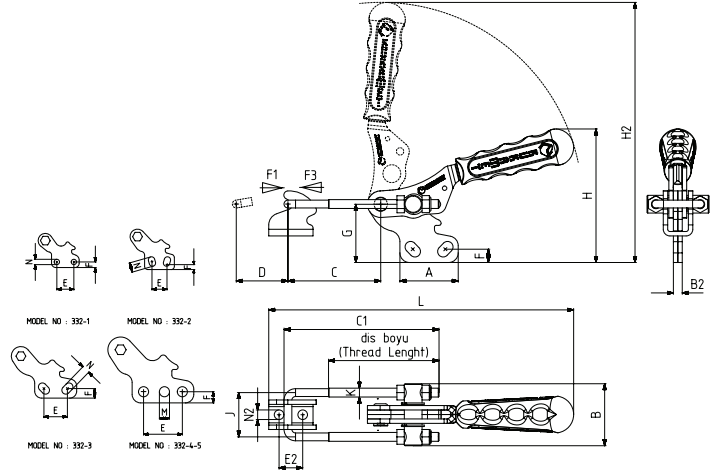


Ayak Tipi: Dikey Tabanlı
Body Mounting Base: Vertical



| MODEL NO | PASLANMAZ (STAINLESS) | SİYAH (BLACK) | F1 (N) | F3 (N) | STROK (DİŞ BOYU) (STROKE) (thread length) | AĞIRLIK (WEIGHT) (gr ±%2) |
|----------|-----------------------|---------------|--------|--------|---|---------------------------|
| 332 - 1 | S 332 - | B 332 - | 1000 | 1500 | 45 | 95 |
| 332 - 2 | S 332 - | B 332 - | 1500 | 2000 | 45 | 160 |
| 332 - 3 | S 332 - | B 332 - | 2200 | 3200 | 75 | 310 |
| 332 - 4 | - | B 332 - | 7000 | 8000 | 95 | 720 |
| 332 - 5 | - | B 332 - | 10000 | 11000 | 110 | 860 |

F1 : ÇEKME KUVVETİ (TENSILE FORCE) , F3 : TUTMA KAPASİTESİ (HOLDING CAPACITY)
Paslanmaz U Kancalı ürünlerin çekme kuvvetleri %30 daha azdır. (Stainless steel latch clamp's tensile strength are %30 more less)



| MODEL NO | A | B | B2 | C min. | C max. | C1 | D | E | E2 | F | G | H | H2 | J | K | L min. | L max. | M | N | N2 |
|----------|------|----|----|--------|--------|-----|----|------|------|------|------|-----|------|----|-----|--------|--------|-------|------------|-----------|
| 332 - 1 | 26 | 33 | 5 | 35 | 65 | 90 | 20 | 16 | 10 | 5 | 25 | 40 | 91,5 | 23 | M4 | 135 | 165 | - | Ø 5 | Ø 5 |
| 332 - 2 | 28 | 33 | 5 | 32 | 62 | 90 | 25 | 14 | 12 | 7,5 | 31 | 72 | 134 | 23 | M4 | 142 | 172 | - | 6 x 9 | 5,5 x 7,5 |
| 332 - 3 | 39,5 | 42 | 6 | 32 | 67 | 105 | 35 | 22 | 16 | 9 | 39,5 | 85 | 178 | 30 | M6 | 177 | 212 | - | 7,5 x 11,5 | Ø 6,5 |
| 332 - 4 | 58 | 60 | 8 | 45 | 95 | 145 | 44 | 36,5 | 19,5 | 10,5 | 50 | 114 | 223 | 43 | M8 | 232 | 282 | Ø 9,5 | Ø 9,5 | 8,5 x 10 |
| 332 - 5 | 58 | 65 | 8 | 45 | 127 | 180 | 44 | 36,5 | 19,5 | 10,5 | 50 | 114 | 223 | 43 | M10 | 233 | 315 | Ø 9,5 | Ø 9,5 | 8,5 x 10 |

C Ölçüsü Kısa U Kanca İçindir. Bkz. Aksesuar Sayfası. / C Dimension is for short U Hook. Please See Accessories Page.

333-L

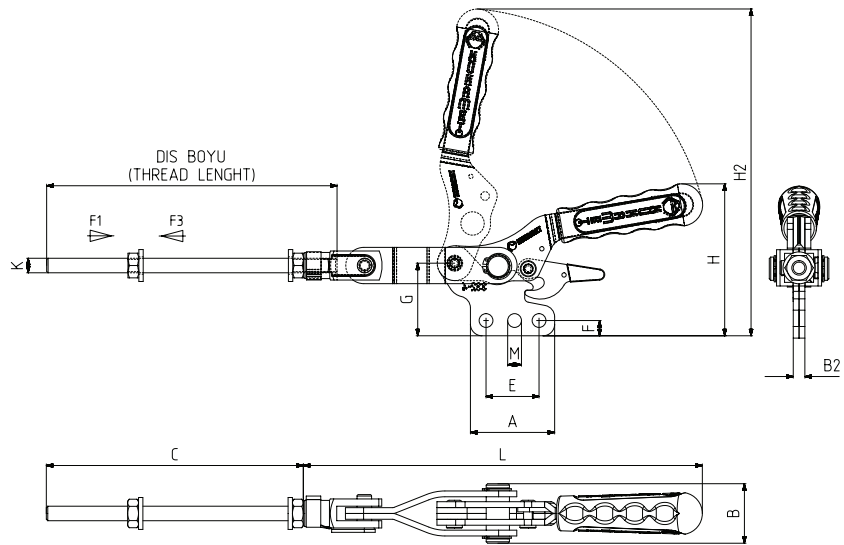


Ayak Tipi: Dikey Tabanlı-Saplamalı
Body Mounting Base: Vertical Special
Extended Clamping Arm



| MODEL NO | F1 (N) | F3 (N) | STROK (DİŞ BOYU) (thread length) | AĞIRLIK (WEIGHT) (gr ±%2) |
|----------------|--------|--------|----------------------------------|---------------------------|
| 333-4-L-M10 | 10000 | 12000 | 200 | 950 |
| 333-4-L-M12-C1 | 15000 | 17000 | 250 | 1070 |
| 333-4-L-M12-C2 | 15000 | 17000 | 400 | 1190 |
| 333-5-L-M16 | 20000 | 25000 | 200 | 1450 |

F1 : ÇEKME KUVVETİ (TENSILE FORCE) , F3 : TUTMA KAPASİTESİ (HOLDING CAPACITY)



| MODEL NO | A | B | B2 | C | E | F | G | H | H2 | K | L | M |
|----------------|----|----|----|-------|------|------|----|-----|-----|-----|-------|-------|
| 333-4-L-M10 | 58 | 41 | 8 | 177 | 36,5 | 10,5 | 50 | 105 | 225 | M10 | 275 | Ø 9,5 |
| 333-4-L-M12-C1 | 58 | 41 | 8 | 225 | 36,5 | 10,5 | 50 | 105 | 225 | M12 | 279 | Ø 9,5 |
| 333-4-L-M12-C2 | 58 | 41 | 8 | 375 | 36,5 | 10,5 | 50 | 105 | 225 | M12 | 279 | Ø 9,5 |
| 333-5-L-M16 | 58 | 43 | 8 | 167,5 | 36,5 | 10,5 | 50 | 105 | 225 | M16 | 304,5 | Ø 9,5 |