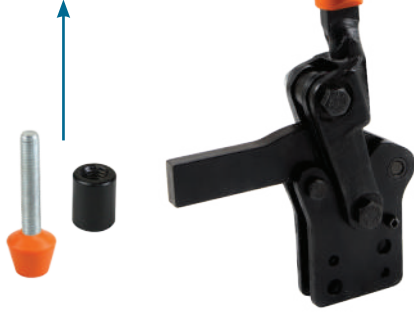


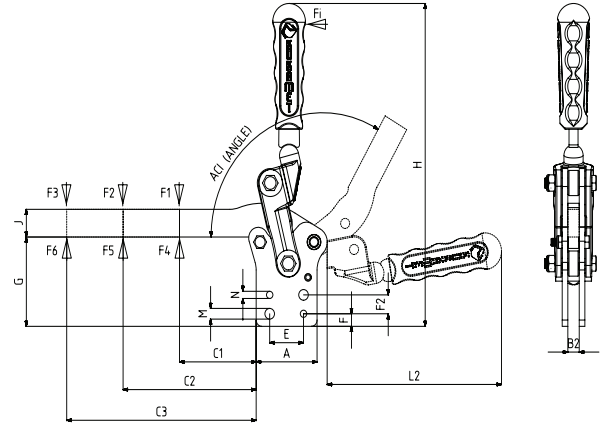
242-D

*911-951-G (sayfa 128-131)
Bkz. Aksesuar Sayfası
*911-951-G (page 128-131)
Please See Accessories Page



MODEL NO	F1 (N)	F2 (N)	F3 (N)	F4 (N)	F5 (N)	F6 (N)	Fi		AĞIRLIK (WEIGHT) (gr ±%)		
							VERİM (YIELD) (F1)	AÇI (ANGLE) (± 5°)	C1	C2	C3
242-2-D	750	320	210	2500	1000	700	5:1	120°	290	320	354
242-4-D	1500	860	600	5000	2800	1500	5:1	120°	1186	1266	1362
242-6-D	2000	1400	850	6000	3600	2000	5:1	120°	2120	2222	2376

F1 - F2 - F3 : BASKI KUVVETİ (EXERTING FORCE) , F4 - F5 - F6 : TUTMA KAPASİTESİ (HOLDING CAPACITY) , Fi : UYGULAMA KUVVETİ (APPLIED FORCE)



Ayak Tipi: Dikey Tabanlı
Body Mounting Base: Vertical



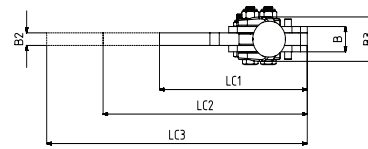
222
Sayfa/Page: 28



222-C
Sayfa/Page: 29



242
Sayfa/Page: 37



MODEL NO	A	B	B2	B3	C1	C2	C3	E	F	F2	G	H	J	LC1	LC2	LC3	L2	M	N
242-2-D	36	12	6	23	38,5	88,5	138,5	20	8	-	44,5	159	15	77	127	177	103	Ø 6,5	-
242-4-D	54	20	10	36	68	118	168	30	10	15	67,5	257	27	131	181	231	172	Ø 8,5	Ø 5,7
242-6-D	70	22	12	46	86	130	180	45	15	20	91	303	32	166	210	260	198	Ø 10,5	Ø 7,7

242-L

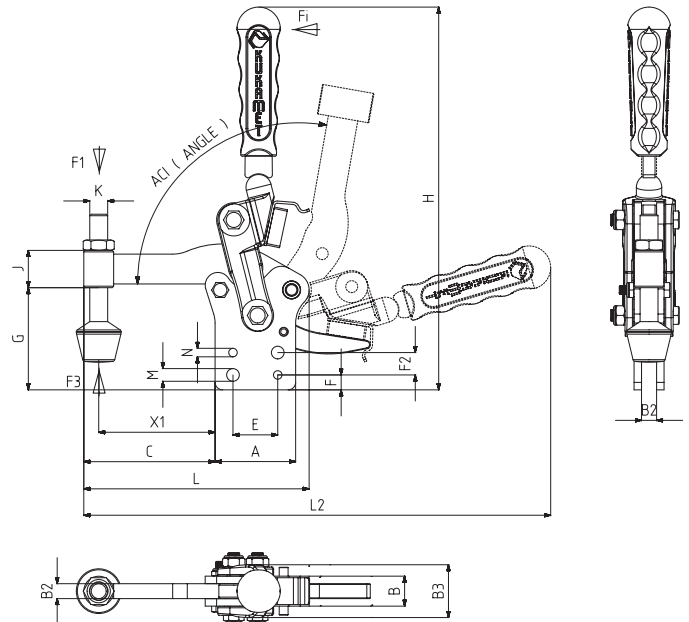


Ayak Tipi: Dikey Tabanlı
(Açıkken Kilitli)
Body Mounting Base: Vertical
(Locked when open)



MODEL NO	F1 (N)	F3 (N)	Fi		AÇI (ANGLE) (± 5°)	AĞIRLIK (WEIGHT) (gr ±%)
			VERİM (YIELD) (F1)			
242-4-L	1500	5000	5:1		100°	1470
242-6-L	2000	6000	5:1		100°	2545

F1 : BASKI KUVVETİ (EXERTING FORCE) , F3 : TUTMA KAPASİTESİ (HOLDING CAPACITY) , Fi : UYGULAMA KUVVETİ (APPLIED FORCE)



242
Sayfa/Page: 37



241
Sayfa/Page: 35



212-D
Sayfa/Page: 20

MODEL NO	A	B	B2	B3	C	E	F	F2	G	H	J	K	L	L2	M	N	X1
242-4-L	54	20	10	36	88	30	10	15	67,5	257	27	M12	151	323	Ø 8.5	Ø 5.7	78
242-6-L	70	22	12	46	111	45	15	20	91	303	32	M12	191	390	Ø 10.5	Ø 7.7	98,5