

241-L

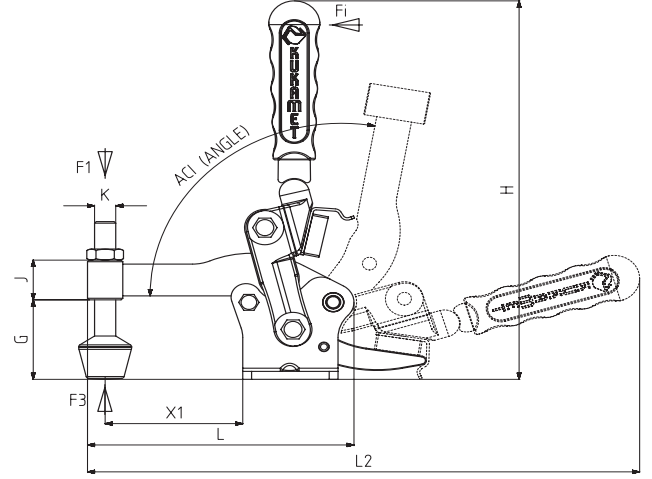


**KİLİTLİ / LOCKED**



| MODEL NO | F1 (N) | F3 (N) | Fi                 | AÇI (ANGLE) (± 5°) | AĞIRLIK (WEIGHT) (gr ±%2) |
|----------|--------|--------|--------------------|--------------------|---------------------------|
|          |        |        | VERİM (YIELD) (F1) |                    |                           |
| 241-4-L  | 1500   | 5000   | 5:1                | 100°               | 1470                      |
| 241-6-L  | 2000   | 6000   | 5:1                | 100°               | 2545                      |

F1 : BASKI KUVVETİ ( EXERTING FORCE ) , F3 : TUTMA KAPASİTESİ ( HOLDING CAPACITY ) , Fi : UYGULAMA KUVVETİ ( APPLIED FORCE )



**Ayak Tipi: Yatay Tabanlı (Açıkken Kilitli)**

Body Mounting Base: Horizontal (Locked when open)



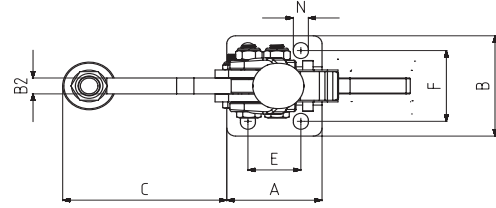
241-D-L  
Sayfa/Page: 36



241  
Sayfa/Page: 35



951-G  
Sayfa/Page: 131



| MODEL NO | A  | B  | B2 | C   | E  | F    | G  | H   | J  | K   | L   | L2  | N           | X1   |
|----------|----|----|----|-----|----|------|----|-----|----|-----|-----|-----|-------------|------|
| 241-4-L  | 54 | 63 | 10 | 88  | 30 | 44,5 | 49 | 238 | 27 | M12 | 151 | 323 | 8.5 x 10    | 78   |
| 241-6-L  | 70 | 74 | 12 | 111 | 45 | 52   | 68 | 280 | 32 | M12 | 191 | 390 | 10.5 x 11.5 | 98,5 |

241-D-L



| MODEL NO  | F1 (N) | F2 (N) | F3 (N) | F4 (N) | F5 (N) | F6 (N) | Fi                 | AÇI (ANGLE) (± 5°) | AĞIRLIK (WEIGHT) (gr ±%2) |      |      |
|-----------|--------|--------|--------|--------|--------|--------|--------------------|--------------------|---------------------------|------|------|
|           |        |        |        |        |        |        | VERİM (YIELD) (F1) |                    | C1                        | C2   | C3   |
| 241-4-D-L | 1500   | 860    | 600    | 5000   | 2800   | 1500   | 5:1                | 100°               | 1288                      | 1362 | 1456 |
| 241-6-D-L | 2000   | 1400   | 850    | 6000   | 3600   | 2000   | 5:1                | 100°               | 2278                      | 2402 | 2520 |

F1-F2-F3 : BASKI KUVVETİ ( EXERTING FORCE ) , F4-F5-F6 : TUTMA KAPASİTESİ ( HOLDING CAPACITY ) , Fi : UYGULAMA KUVVETİ ( APPLIED FORCE )

\*911-951-G (sayfa 128-131)

Bkz. Aksesuar Sayfası

\*911-951-G (page 128-131)

Please See Accessories Page



**Ayak Tipi: Yatay Tabanlı (Açıkken Kilitli)**

Body Mounting Base: Horizontal (Locked when open)



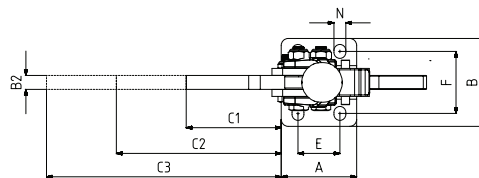
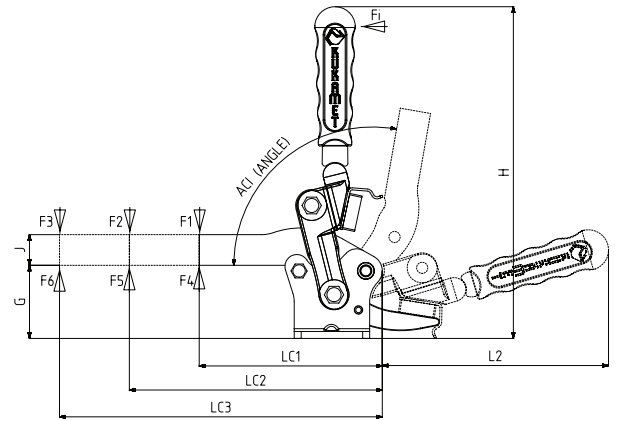
241  
Sayfa/Page: 35



241-D  
Sayfa/Page: 35



916  
Sayfa/Page: 129



| MODEL NO  | A  | B  | B2 | C1 | C2  | C3  | E  | F    | G    | H   | J  | LC1 | LC2 | LC3 | L2  | N           |
|-----------|----|----|----|----|-----|-----|----|------|------|-----|----|-----|-----|-----|-----|-------------|
| 241-4-D-L | 54 | 63 | 10 | 68 | 118 | 168 | 30 | 44,5 | 52,5 | 238 | 22 | 131 | 181 | 231 | 172 | 8.5 x 10    |
| 241-6-D-L | 70 | 74 | 12 | 86 | 130 | 180 | 45 | 52   | 71,5 | 280 | 27 | 166 | 210 | 260 | 198 | 10.5 x 11.5 |