

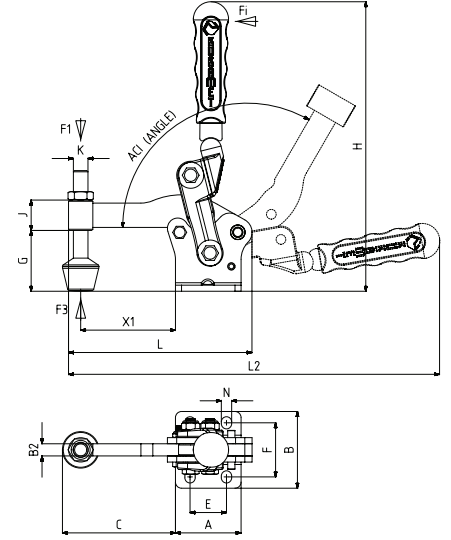
241



new

| MODEL NO | F1 (N) | F3 (N) | Fi | AÇI (ANGLE) (± 5°) | AĞIRLIK (WEIGHT) (gr ±%) |
|----------|--------|--------|--------------------|--------------------|--------------------------|
| | | | VERİM (YIELD) (F1) | | |
| 241-2 | 750 | 2500 | 5:1 | 120° | 325 |
| 241-3 | 1000 | 3500 | 5:1 | 120° | 756 |
| 241-4 | 1500 | 5000 | 5:1 | 120° | 1340 |
| 241-6 | 2000 | 6000 | 5:1 | 120° | 2340 |

F1 : BASKI KUVVETİ (EXERTING FORCE) , F3 : TUTMA KAPASİTESİ (HOLDING CAPACITY) , Fi : UYGULAMA KUVVETİ (APPLIED FORCE)



Ayak Tipi: Yatay Tabanlı
Body Mounting Base: Horizontal



241-L
Sayfa/Page: 36



241-D
Sayfa/Page: 35



242
Sayfa/Page: 37

| MODEL NO | A | B | B2 | C | E | F | G | H | J | K | L | L2 | N | X1 |
|----------|------|------|----|------|----|------|------|-----|----|-----|-----|-----|-------------|------|
| 241 - 2 | 36 | 48,5 | 6 | 52,5 | 20 | 32 | 28,5 | 143 | 15 | M6 | 89 | 192 | 6,5 x 8,5 | 44,5 |
| 241 - 3 | 43,5 | 51 | 8 | 76,5 | 23 | 33 | 39 | 210 | 22 | M10 | 123 | 279 | Ø9 | 63 |
| 241 - 4 | 54 | 63 | 10 | 88 | 30 | 44,5 | 49 | 238 | 27 | M12 | 151 | 323 | 8,5 x 10 | 78 |
| 241 - 6 | 70 | 74 | 12 | 111 | 45 | 52 | 68 | 280 | 32 | M12 | 191 | 390 | 10,5 x 11,5 | 98,5 |

new

241-D



Ayak Tipi: Yatay Tabanlı
Body Mounting Base: Horizontal

*911-951-G (sayfa 128-131)
Bkz. Aksesuar Sayfası
*911-951 -G (page 128-131)
Please See Accessories Page



241-D-L
Sayfa/Page: 36



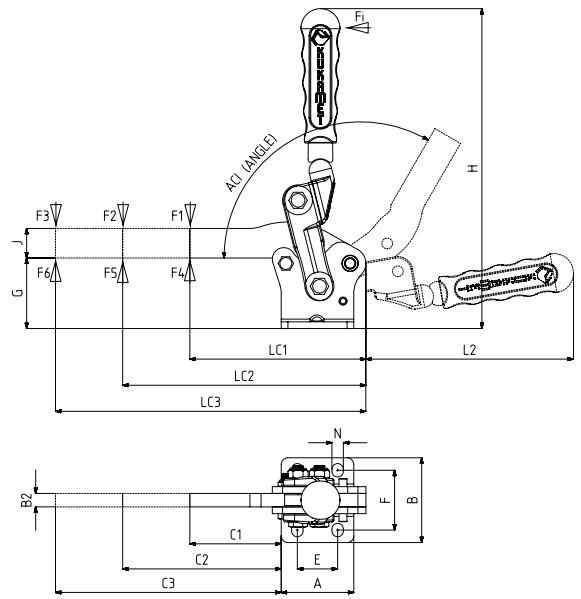
241
Sayfa/Page: 35



951-G
Sayfa/Page: 131

| MODEL NO | F1 (N) | F2 (N) | F3 (N) | F4 (N) | F5 (N) | F6 (N) | Fi | AÇI (ANGLE) (± 5°) | AĞIRLIK (WEIGHT) (gr ±%) | | |
|----------|--------|--------|--------|--------|--------|--------|--------------------|--------------------|--------------------------|------|------|
| | | | | | | | VERİM (YIELD) (F1) | | C1 | C2 | C3 |
| 241-2-D | 750 | 320 | 210 | 2500 | 1000 | 700 | 5:1 | 120° | 290 | 320 | 354 |
| 241-4-D | 1500 | 860 | 600 | 5000 | 2800 | 1500 | 5:1 | 120° | 1186 | 1266 | 1362 |
| 241-6-D | 2000 | 1400 | 850 | 6000 | 3600 | 2000 | 5:1 | 120° | 2120 | 2222 | 2376 |

F1-F2-F3 : BASKI KUVVETİ (EXERTING FORCE) , F4-F5-F6 : TUTMA KAPASİTESİ (HOLDING CAPACITY) , Fi : UYGULAMA KUVVETİ (APPLIED FORCE)



| MODEL NO | A | B | B2 | C1 | C2 | C3 | E | F | G | H | J | LC1 | LC2 | LC3 | L2 | N |
|----------|----|------|----|------|------|-------|----|------|------|-----|----|-----|-----|-----|-----|-------------|
| 241-2-D | 36 | 48,5 | 6 | 38,5 | 88,5 | 138,5 | 20 | 32 | 30 | 143 | 14 | 77 | 127 | 177 | 103 | 6,5 x 8,5 |
| 241-4-D | 54 | 63 | 10 | 68 | 118 | 168 | 30 | 44,5 | 52,5 | 238 | 22 | 131 | 181 | 231 | 170 | 8,5 x 10 |
| 241-6-D | 70 | 74 | 12 | 86 | 130 | 180 | 45 | 52 | 71,5 | 280 | 27 | 166 | 210 | 260 | 198 | 10,5 x 11,5 |