

224
S-L new



KİLİTLİ / LOCKED

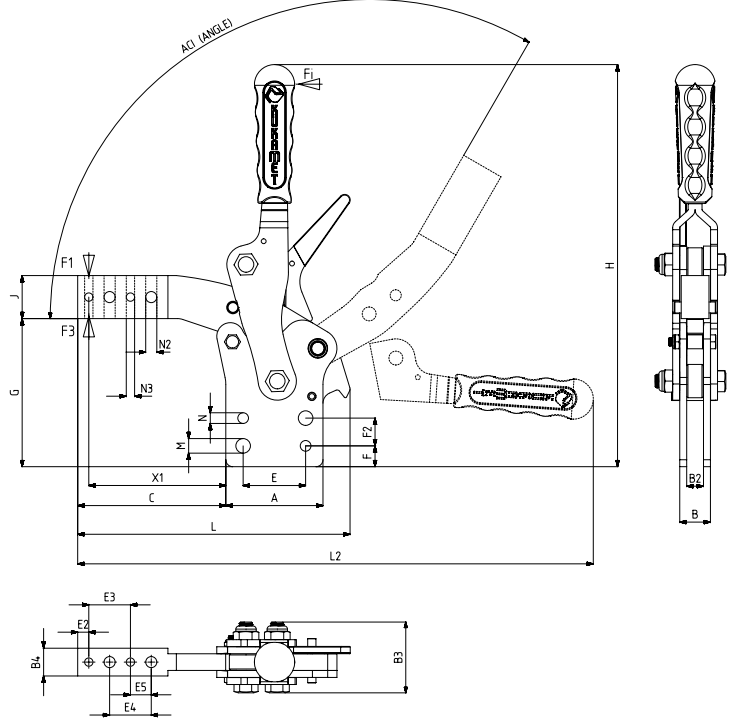
Ayak Tipi: Dikey Sabit Tabanlı - Sac Kol

Açık ve Kapalı İken Kilitli

Body Mounting Base: Vertical and Fixed - Sheet Arm
Locked When Open and Closed

MODEL NO	F1 (N)	F3 (N)	Fi	AÇI (ANGLE) (± 5°)	AĞIRLIK (WEIGHT) (gr ±%2)
			VERİM (YIELD) (F1)		
224 - 6 - S - L	2500	6500	5:1	110°	2025

F1 : BASKI KUVVETİ (EXERTING FORCE) , F3 : TUTMA KAPASİTESİ (HOLDING CAPACITY) , Fi : UYGULAMA KUVVETİ (APPLIED FORCE)



MODEL NO	A	B	B2	B3	B4	C	E	E2	E3	E4	E5	F	F2	G	H	J	L	L2	M	N	N2	N3	X1
224 - 6 - S - L	70	22	12	51	20	106,5	45	8	30	30	15	15	20	106,5	289,5	31	196	371,5	Ø 10,5	Ø 7,7	Ø 8	Ø 6	98,5

241
S-L new



KİLİTLİ / LOCKED

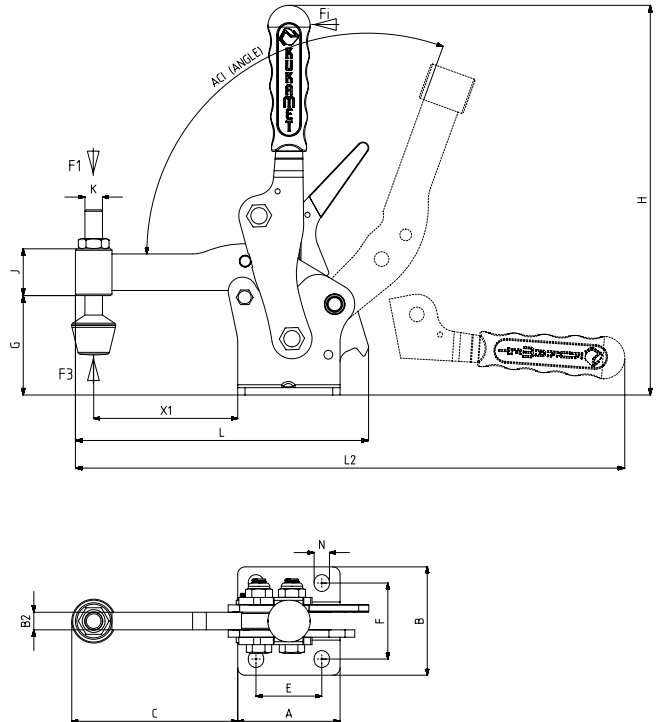
Ayak Tipi: Yatay Tabanlı - Sac Kol

Açık ve Kapalı İken Kilitli

Body Mounting Base: Horizontal Base - Sheet Arm
Locked When Open and Closed

MODEL NO	F1 (N)	F3 (N)	Fi	AÇI (ANGLE) (± 5°)	AĞIRLIK (WEIGHT) (gr ±%2)
			VERİM (YIELD) (F1)		
241 - 6 - S - L	2000	6000	5:1	110°	2025

F1 : BASKI KUVVETİ (EXERTING FORCE) , F3 : TUTMA KAPASİTESİ (HOLDING CAPACITY) , Fi : UYGULAMA KUVVETİ (APPLIED FORCE)



MODEL NO	A	B	B2	C	E	F	G	H	J	K	L	L2	N	X1
241 - 6 - S - L	70	74	12	111	45	52	68	266,5	32	M12	200,5	376	10,5x11,5	98,5