

| MODEL NO    | SİYAH (BLACK) | F1 (N) | F2 (N) | F3 (N) | F4 (N) | F5 (N) | F6 (N) | F7 (N) | F8 (N) | Fi                         |                            | AÇI (ANGLE) (± 5 °)             |       | AĞIRLIK (WEIGHT) (gr ±%2) |      |      |
|-------------|---------------|--------|--------|--------|--------|--------|--------|--------|--------|----------------------------|----------------------------|---------------------------------|-------|---------------------------|------|------|
|             |               |        |        |        |        |        |        |        |        | (X1) VERİM (YIELD) (F1:F1) | (C1) VERİM (YIELD) (F2:F1) | KOL DAYAMA AÇISI ARMSREST ANGLE |       | C1                        | C2   | C3   |
|             |               |        |        |        |        |        |        |        |        |                            |                            | POS 1                           | POS 2 |                           |      |      |
| 212 - 1 - D | B 212 - ....  | 750    | 500    | 200    | 100    | 1000   | 680    | 300    | 200    | 12:1                       | 8:1                        | 105°                            | -     | 138                       | 163  | 184  |
| 212 - 2 - D | B 212 - ....  | 1200   | 700    | 350    | 250    | 1400   | 925    | 510    | 370    | 12:1                       | 7,5:1                      | 105°                            | -     | 207                       | 228  | 256  |
| 212 - 3 - D | B 212 - ....  | 2000   | 1400   | 700    | 500    | 2500   | 1560   | 910    | 680    | 11:1                       | 8:1                        | 105°                            | -     | 367                       | 408  | 447  |
| 212 - 4 - D | B 212 - ....  | 3000   | 2000   | 1100   | 850    | 3300   | 2200   | 1350   | 1080   | 11,5:1                     | 8:1                        | 135°                            | 105°  | 809                       | 870  | 938  |
| 212 - 5 - D | B 212 - ....  | 4500   | 2500   | 1300   | 1000   | 5000   | 3000   | 1445   | 1190   | 12:1                       | 7:1                        | 135°                            | 105°  | 1381                      | 1466 | 1552 |

F1 - F2 - F3 - F4 : BASKI KUVVETİ ( EXERTING FORCE ) , F5 - F6 - F7 - F8 : TUTMA KAPASİTESİ ( HOLDING CAPACITY ) , Fi : UYGULAMA KUVVETİ ( APPLIED FORCE )

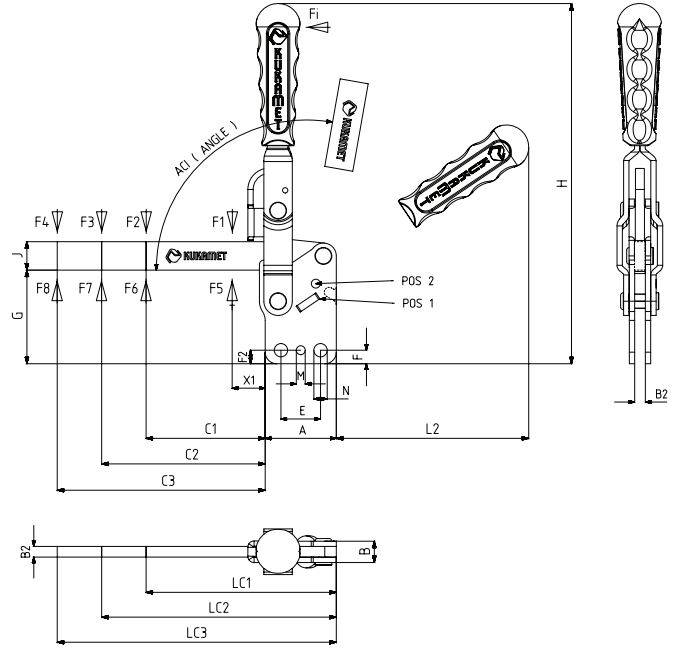
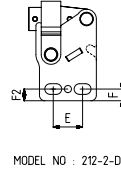
212-D



**Ayak Tipi: Dikey Tabanlı**  
 Body Mounting Base: Vertical



\*911-951-G (sayfa 128-131)  
 Bkz. Aksesuar Sayfası  
 \*911-951 -G (page 128-131)  
 Please See Accessories Page



| MODEL NO    | A  | B  | B2 | C1  | C2  | C3  | E    | F    | F2   | G  | H   | J  | LC1 | LC2 | LC3 | L2  | M  | N       | X1 |
|-------------|----|----|----|-----|-----|-----|------|------|------|----|-----|----|-----|-----|-----|-----|----|---------|----|
| 212 - 1 - D | 26 | 10 | 5  | 44  | 94  | 144 | 16   | 5    | 5,75 | 35 | 135 | 10 | 70  | 120 | 170 | 73  | Ø5 | Ø 5     | 18 |
| 212 - 2 - D | 32 | 10 | 5  | 62  | 112 | 162 | 16,5 | 6,5  | 6,5  | 39 | 154 | 13 | 94  | 144 | 194 | 85  | Ø4 | 6 x 9,5 | 20 |
| 212 - 3 - D | 40 | 12 | 6  | 67  | 117 | 167 | 22,5 | 7,5  | 7,6  | 52 | 202 | 16 | 107 | 157 | 207 | 110 | Ø5 | Ø 7,5   | 25 |
| 212 - 4 - D | 52 | 16 | 8  | 100 | 150 | 200 | 32   | 12   | 11   | 70 | 262 | 20 | 152 | 202 | 252 | 160 | Ø5 | Ø 9     | 34 |
| 212 - 5 - D | 65 | 20 | 10 | 130 | 180 | 230 | 42   | 15,5 | 11,6 | 82 | 286 | 25 | 195 | 245 | 295 | 165 | Ø6 | Ø 9     | 42 |