

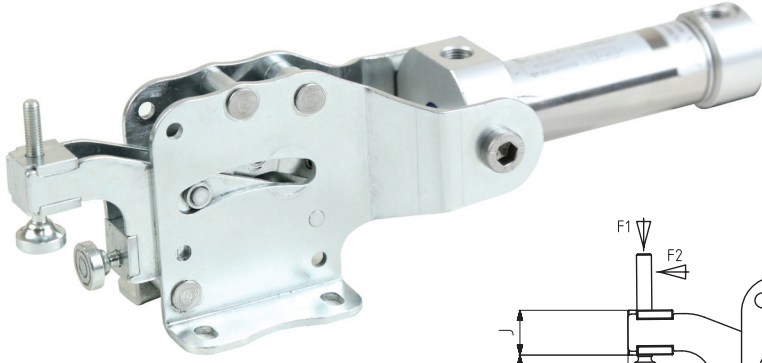
691



| MODEL NO | F1 (N) | F2 (N) | F3 (N) | F4 (N) | Fi (N) | Vn (dm <sup>3</sup> ) | AĞIRLIK WEIGHT (gr) | BAR |
|----------|--------|--------|--------|--------|--------|-----------------------|---------------------|-----|
| 691-1    | 300    | 1000   | 1000   | 1000   | 300    | 0,25                  | 641                 | 6   |
| 691-2    | 500    | 1400   | 2000   | 2000   | 500    | 0,51                  | 1173                | 6   |
| 691-3    | 1500   | 2000   | 3000   | 3000   | 750    | 1,04                  | 2440                | 6   |

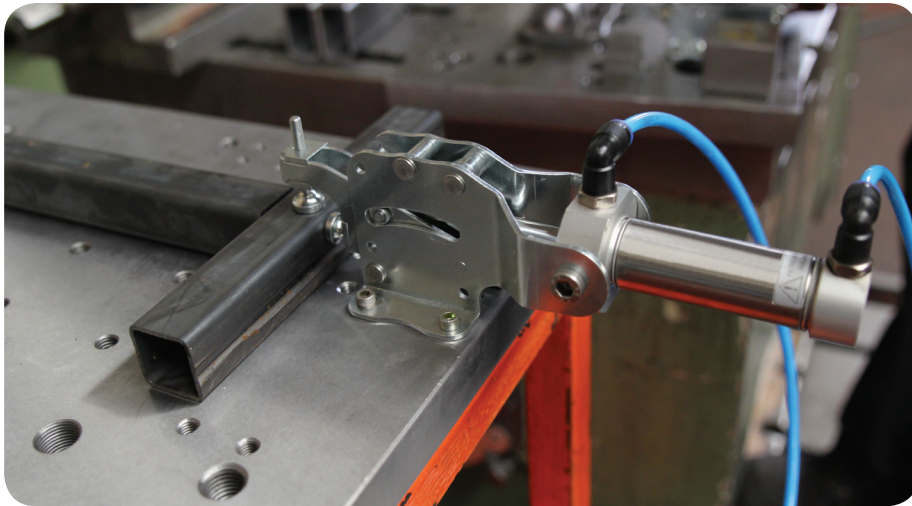
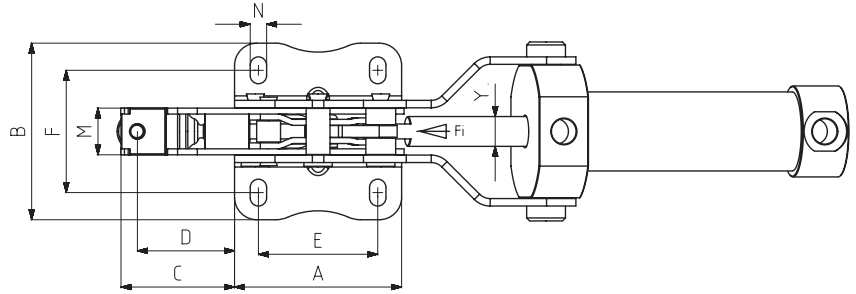
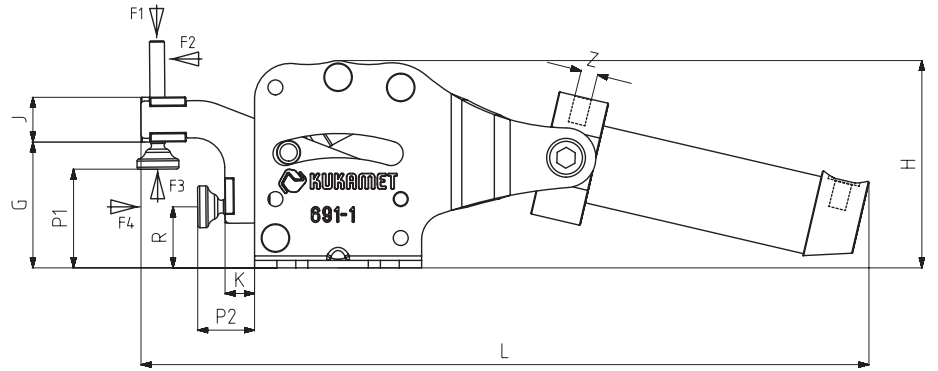
F1 - F2 : BASKI KUVVETİ (EXERTING FORCE) , F3 - F4 : TUTMA KAPASİTESİ (HOLDING CAPACITY) , Fi : UYGULAMA KUVVETİ (APPLIED FORCE)

Vn , 6 BAR BASINÇTA ÇİFT HAREKET İÇİN HAVA TÜKETİM MİKTARIDIR ( Vn , AIR CONSUMPTION PER DOUBLE STROKE IN dm<sup>3</sup> AT 6 BAR )



**Ayak Tipi: Yatay Tabanlı**  
Body Mounting Base: Horizontal

Pistonlar çift etkili, manyetik ve yastıklıdır.  
Pneumatic cylinders are double acting, magnetic and cushioning



| MODEL NO | A  | B     | C  | D    | E  | F           | G  | H   | J  | K  | L     | M     | N          | P1 Min. | P1 Max. | P2 Min. | P2 Max. | R    | Y  | Z    | PİSTON Ø |
|----------|----|-------|----|------|----|-------------|----|-----|----|----|-------|-------|------------|---------|---------|---------|---------|------|----|------|----------|
| 691-1    | 56 | 59,5  | 38 | 32,5 | 40 | 37,5 - 44,5 | 42 | 70  | 16 | 10 | 244   | 15,65 | 5,5 x 9    | 15      | 33      | 19      | 37      | 20,5 | 10 | G1/8 | 25       |
| 691-2    | 75 | 79,5  | 48 | 41   | 50 | 49,5 - 62,5 | 52 | 88  | 20 | 12 | 291   | 20    | 6,5 x 13   | 24      | 41      | 22      | 39      | 24,5 | 12 | G1/8 | 32       |
| 691-3    | 90 | 101,5 | 58 | 50   | 50 | 61 - 81     | 62 | 105 | 25 | 15 | 356,5 | 30    | 8,5 x 18,5 | 23      | 49      | 28      | 54      | 29   | 16 | G1/8 | 40       |