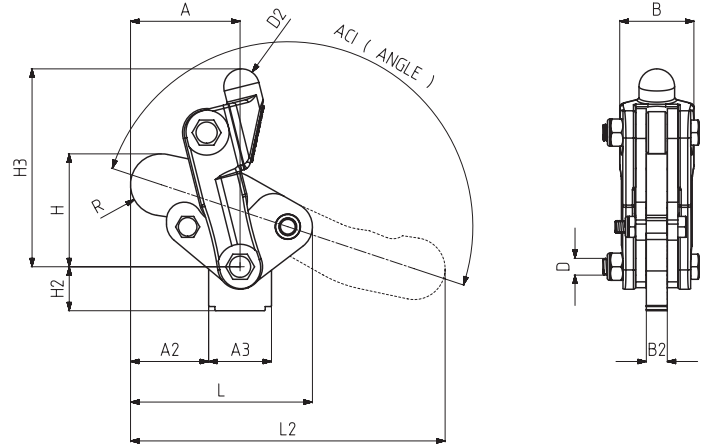


232

MODEL NO	F1 (N)	Fi	AÇI (ANGLE) (± 5 °)	AĞIRLIK (WEIGHT) (gr)
		VERİM (YIELD) (F1)		
232-2	2500	5;1	180°	200
232-4	7000	5;1	180°	830
232-6	11000	5;1	180°	1600



**Ayak Tipi: Dikey Oynar Tabanlı**  
Body Mounting Base: Vertical Moving

MODEL NO	A	A2	A3	B	B2	D	D2	H	H2	H3	L	L2	R
232-2	36	26	20	23	6	M6	Ø10	31	17	55	56	98	9,5
232-4	44	29	30	36	10	M8	Ø17	52	23	94,5	79	135	15
232-6	69	51.5	35	46	12	M10	Ø22	73	30	120	112	197	18.5

